

Project Name:	Location:	Date:	Qty:
Fixture Type:	Prepared by:	Comments:	

This series of Street Lights use Two High Power LED Arrays. They utilize the multi-chip single module design. The Power Factor is 95% and the effective light angle is 150 degree. This light has a 150' spread from a 30' height. This is a type III distribution.



Specifications

LED Sources: Two High Power LEDs.

LED Efficiency: ≥ 100 lm/W

Input Voltage: AC(100V ~ 277V)

Frequency: (50 ~ 60Hz)

Power Factor (PF): >0.95

LED Luminous Flux: @ 25°C:

060W = 6,000 lm

070W = 7,000 lm

080W = 8,000 lm

100W = 10,000 lm

120W = 12,000 lm

Efficiency of the Power Supply: $>95\%$

Effective Light Spread: 150' at 30' Height

CRI: Ra85

Net Weight (kg): 14.50 KG

Supply Rating: 75,000 Hours at 80C

Color Temperature: (4500K - 5000K)

Operating Temp.: 120W = 56C @ 25C ambient

LED Lumens Operating Temp.: 120W = 10,560 lm

Proprietary LED Encapsulation

Materials: High-purity Aluminum

Vacuum metallic membrane plating reflector

High intensity toughened glass covers

30% LED Depreciation: $>60,000$ hours

IP Rating: IP65

Type IV Distribution

Optional Double Fuse for 347V or 480V

Optional Photo Sensor for 100V-277V or 347V

Lower maintenance costs.

70% energy savings compared to Sodium Lights

No delay start

Eco-friendly: No UV, IR, lead or mercury



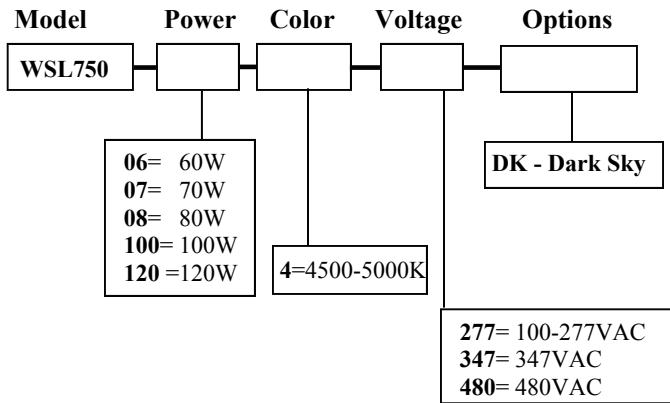
4
and

warranty against manufacturer defect is provided to use under normal operating condition. Proof of purchase must be provided when warranty service is

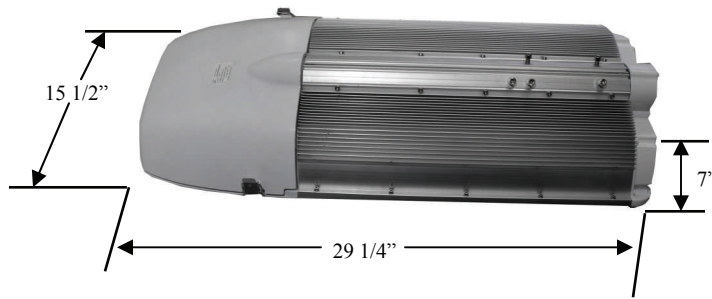
Year Labor
Part War-

LED WSL750 Street Light Series

Ordering Information



Dimensions



Photometric

